



Hi Performance Electric Vehicle Systems

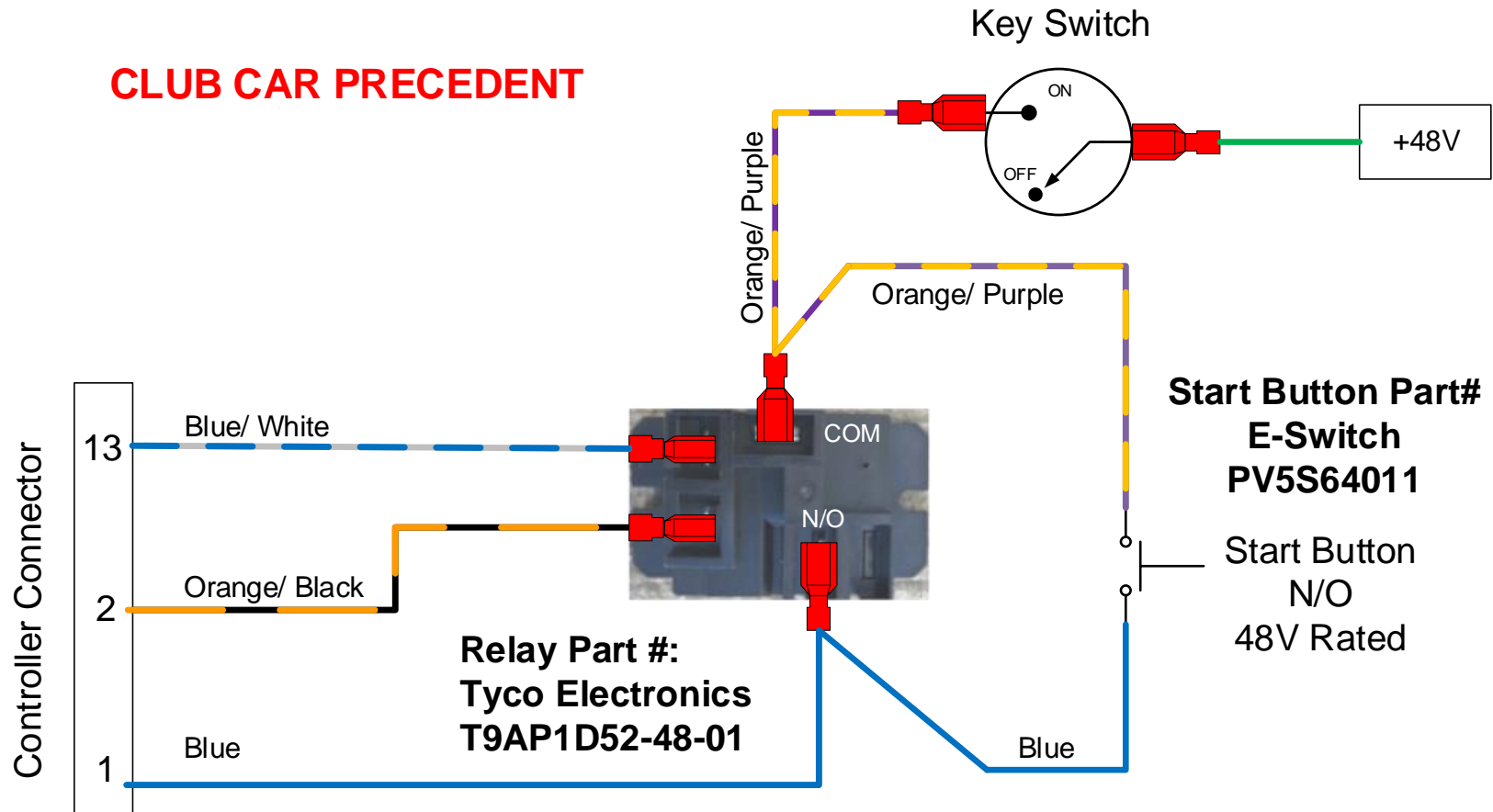
620 Magnolia Ave.
Suite B
Ontario, CA 91762
(909) 923-1973

**PRECEDENT CLUB CAR
GOLF CAR START BUTTON
SCHEMATIC WITH HPEVS DRIVE SYSTEM**

Date: 1-10-19

NOTICE: This drawing is the property of Hi Performance Electric Vehicle Systems Inc. and/or its subsidiaries and affiliates (individually and collectively "HPEVS"), and contains highly proprietary, confidential, and trade secret information of HPEVS. The recipient of this drawing agrees (a) to use the information contained herein for the purpose for which it was furnished by HPEVS (b) to return this drawing upon HPEVS request. This notice shall appear on any complete or partial reproduction of this drawing.

CLUB CAR PRECEDENT



CAD TYPE VISIO	APPLICABLE SOFTWARE		
UNIT NONE	DRAWING 1010-Start Button		
DRW SIZE A	TITLE Golf Cart Start Button		
DATE 01/11/19	Club Car Precedent ONLY		
SUPPLIER PART			
SCALE 1:1	SHEET 1 OF 1	REVISION 2	HPEVS

THEORY OF OPERATION

Scope: The following steps gives the end user instruction on the process and functionality of how to start a golf car that is utilizing a start button system. A HPEVS drive system is needed for the functionality of this process.

Functionality: Utilizing the provided start button to start the golf car is designed to protect the batteries. Once the car is started and running, the vehicle will remain on. If the vehicle has not been driven for 30 minutes, the controller is programmed to shutdown the vehicle and all power so that battery power is not being used. To restart the vehicle, simply depress the start button again to restart the drive system.

(DISCLAIMER: ALTHOUGH THIS PROCESS IS DESIGNED TO SHUTDOWN THE DRIVE SYSTEM TO PROTECT THE BATTERIES FROM BEING FULLY DEPLETED, THE IGNITION KEY SHOULD ALWAYS BE USED TO SHUTDOWN THE DRIVE SYSTEM).

1. To start the golf car, first, turn on the ignition key.
2. Depress and hold the start button for two seconds.
3. If the vehicle is not driven within 5 minutes after starting, the drive system will shut down.
4. The drive system will energize and the car will drive as normal.
5. If the car has not been driven for thirty (30) minutes after being driven, the controller will shut the drive system down.
6. If the drive system has shutdown and the ignition key has not been cycled off, simply depress the start button once more and the vehicle is ready to drive.