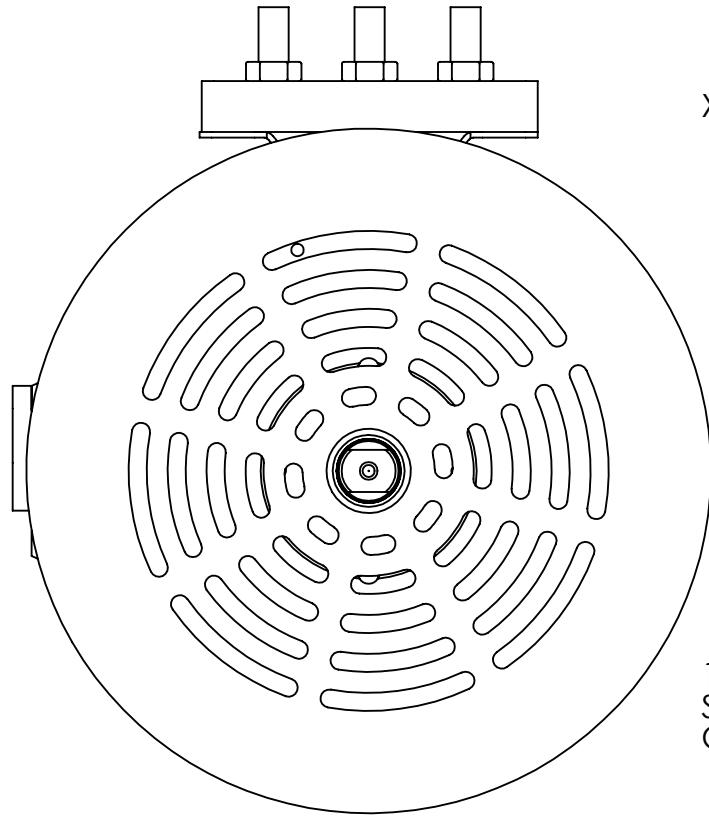
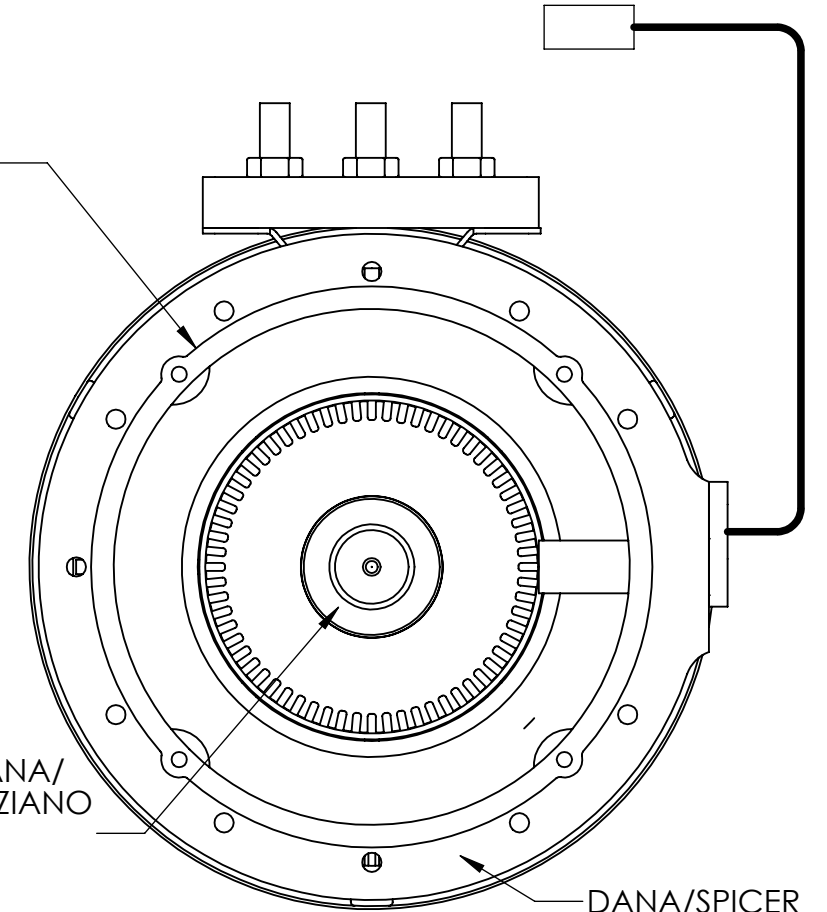


AC12-08.52



OPPOSITE
DRIVE END

REGISTER
 $\varnothing 5.85$
X 0.160 DEEP



19 SPLINE DANA/
SPICER/GRAZIANO
COUPLER

DRIVE END

DANA/SPICER
H12 GOLF CAR
OR VANTAGE
ADAPTER