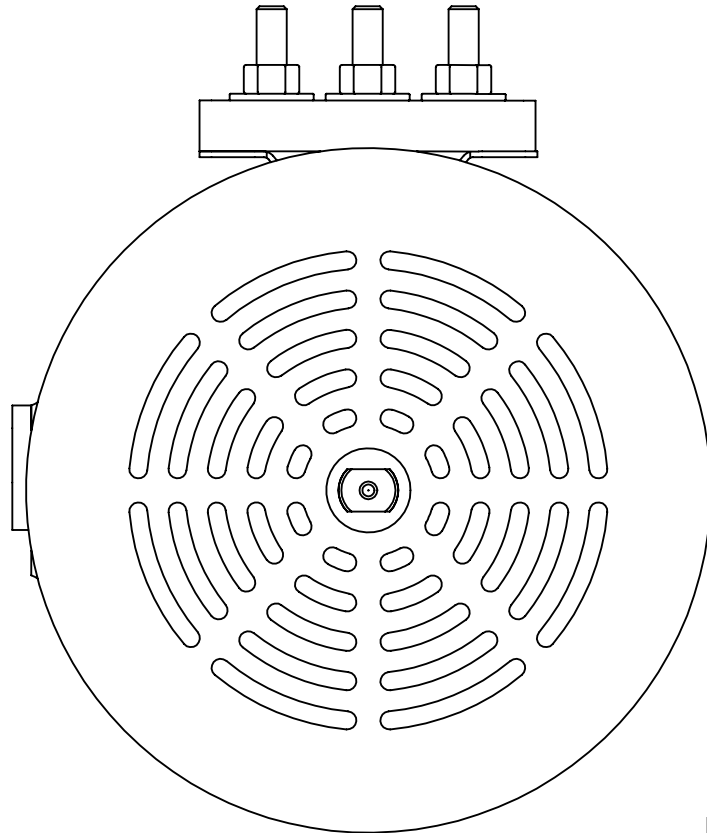
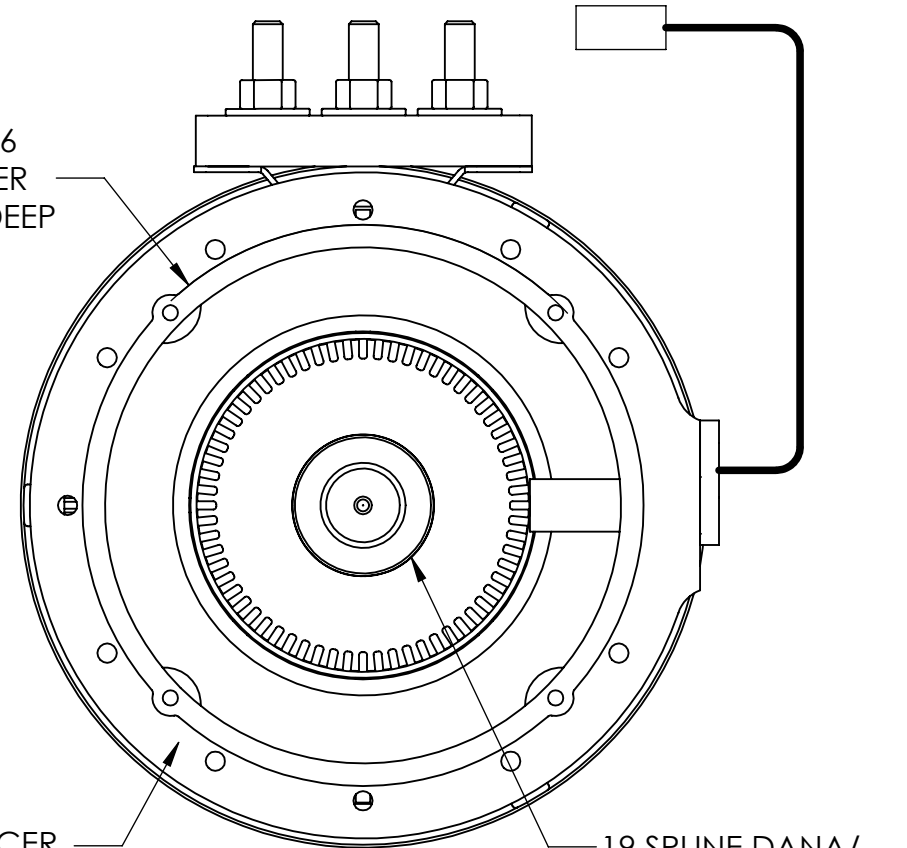


AC20-08.52



OPPOSITE
DRIVE END

$\varnothing 5.846$
REGISTER
X 0.160 DEEP



DANA/SPICER
H12 GOLF CAR
OR VANTAGE
ADAPTER

DRIVE END

19 SPLINE DANA/
SPICER/GRAZIANO
COUPLER