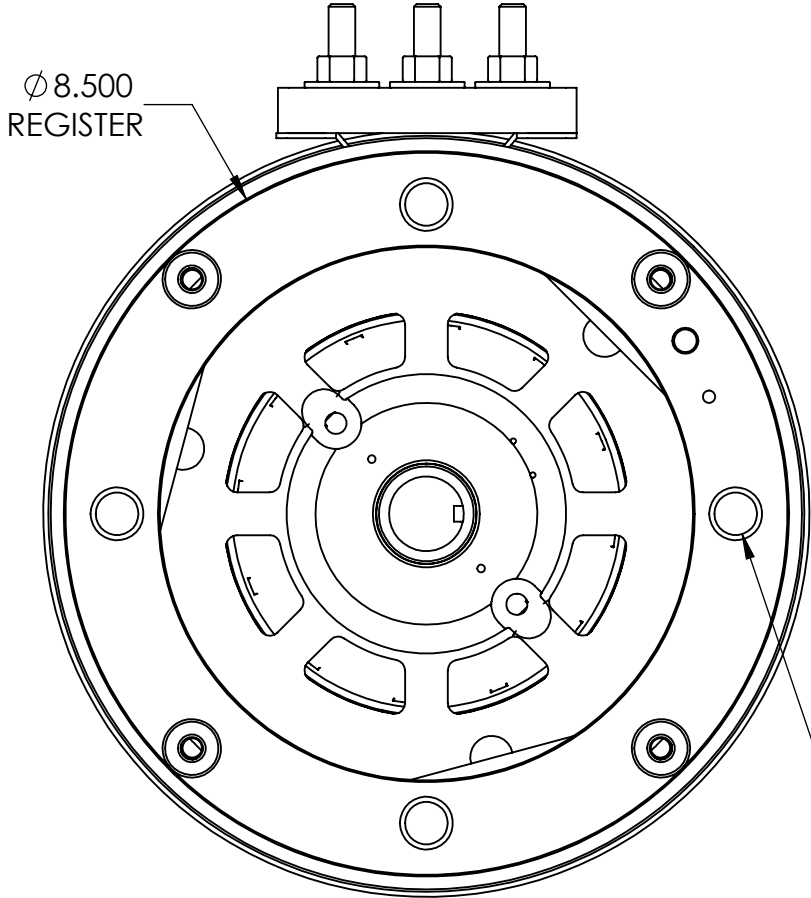
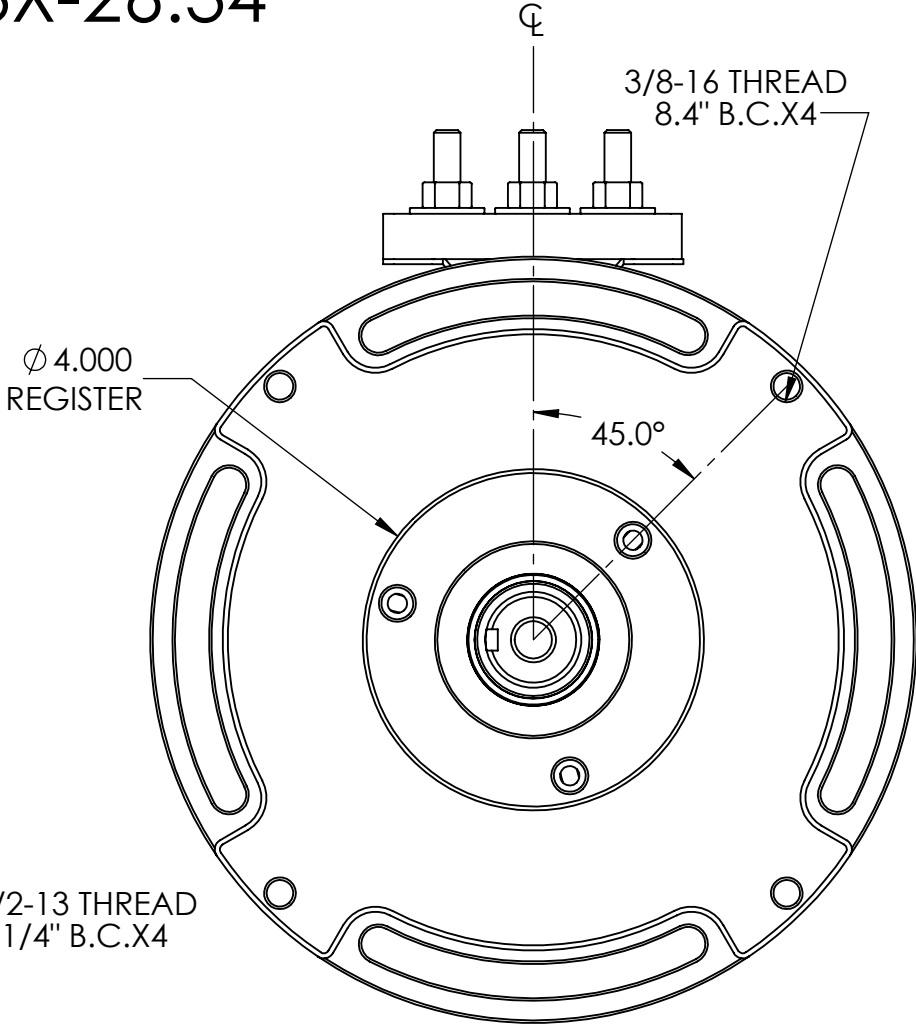


AC3X-26.34



OPPOSITE
DRIVE END



DRIVE END