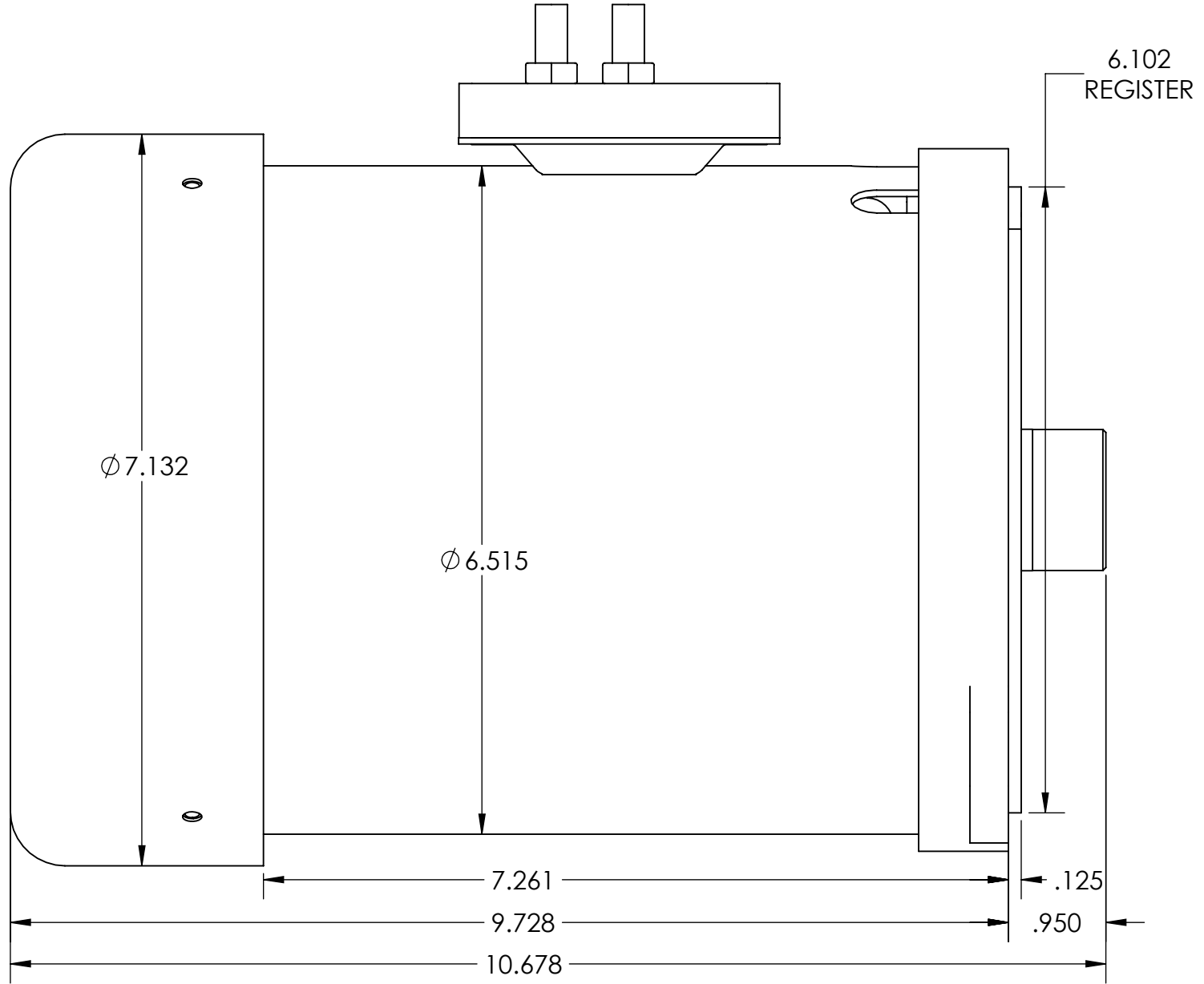


AC9-07.51



SIDE VIEW