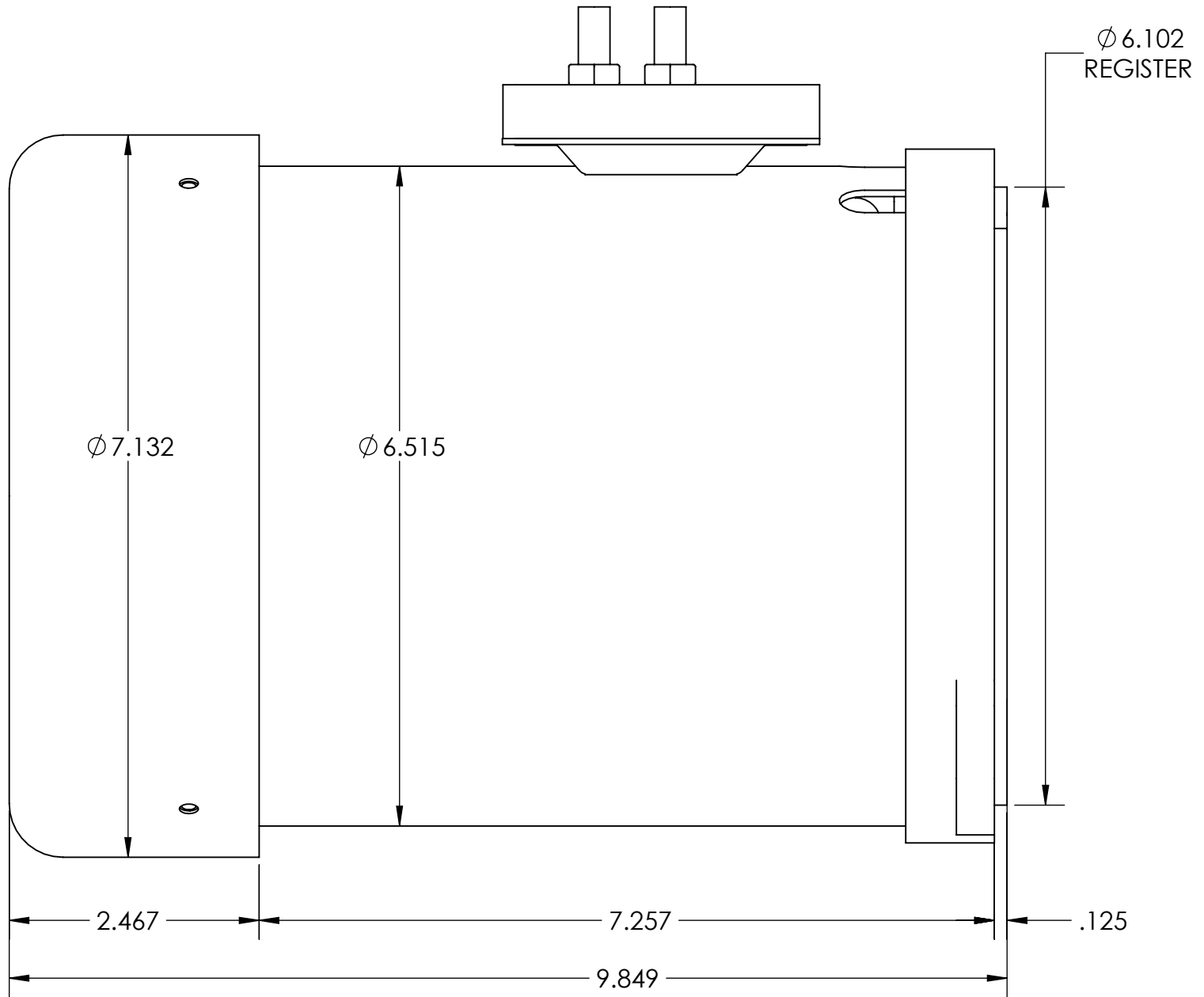


# AC9-07.52



SIDE VIEW