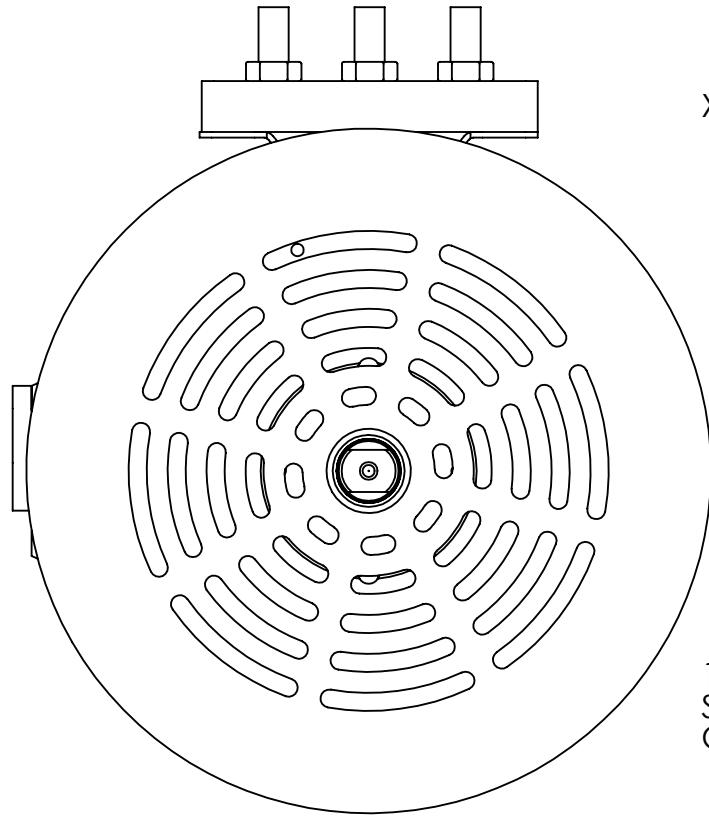
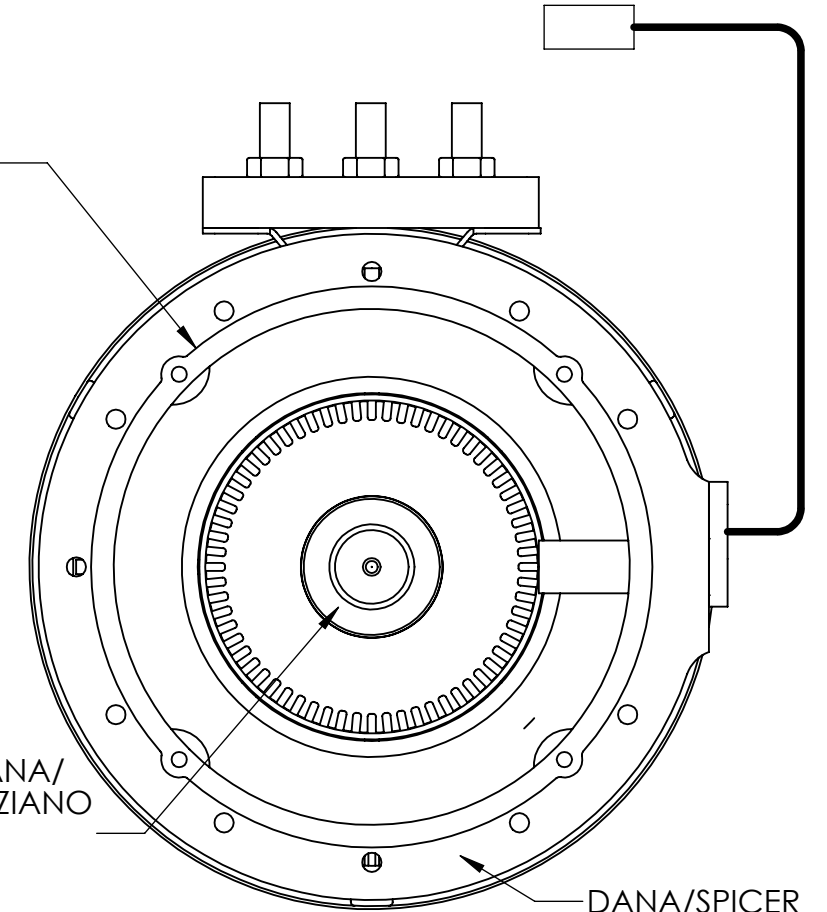


# AC9-08.52



OPPOSITE  
DRIVE END

REGISTER  
 $\varnothing 5.85$   
X 0.160 DEEP



19 SPLINE DANA/  
SPICER/GRAZIANO  
COUPLER

DRIVE END

DANA/SPICER  
H12 GOLF CAR  
OR VANTAGE  
ADAPTER