



**620 Magnolia Avenue Suite B
Ontario, CA 91762
(909) 923-1973**

WIRING SCHEMATICS

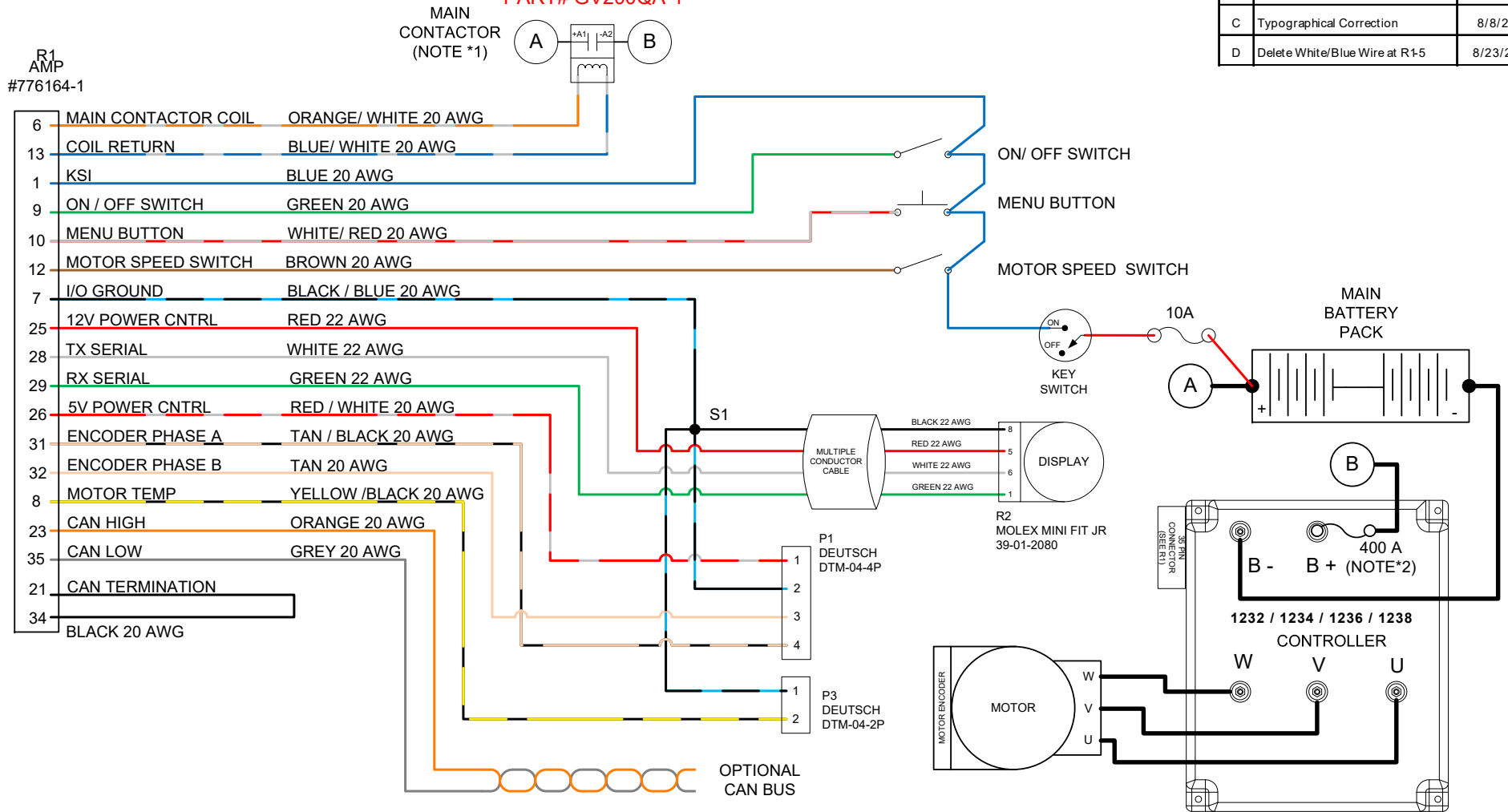
GENERIC HYDRAULIC PUMP

REVISION: D

NOTICE: This drawing is the property of Hi Performance Electric Vehicle Systems Inc. and/or its subsidiaries and affiliates (individually and collectively "HPEVS"), and contains highly proprietary, confidential, and trade secret information of HPEVS. The recipient of this drawing agrees (a) to use the information contained herein for the purpose for which it was furnished by HPEVS (b) to return this drawing upon HPEVS request. This notice shall appear on any complete or partial reproduction of this drawing.

REVISIONS		
REV	DESCRIPTION	APPROVED
A	Initial Release	3/11/2011
B	Major Revision	3/2/2018
C	Typographical Correction	8/8/2018
D	Delete White/Blue Wire at R1-5	8/23/2018

Use Supplied
GIGAVAC Contactor
PART# GV200QA-1



NOTES:

(*1) IF PRESENT, REMOVE ANY DIODES OR RESISTOR FROM MAIN CONTACTOR

(*2) USE 400A FUSE IN 650 SYSTEM. USE 300A FUSE IN 350 SYSTEM

CAD TYPE	VISIO		
APPLICABLE SOFTWARE	DRAWING 1010-GPUMP		
UNIT	NONE		
DRW SIZE	A		
DATE	4/2/18		
SCALE	none		
SHEET	1 OF 2	REVISION	D
			HPEVS