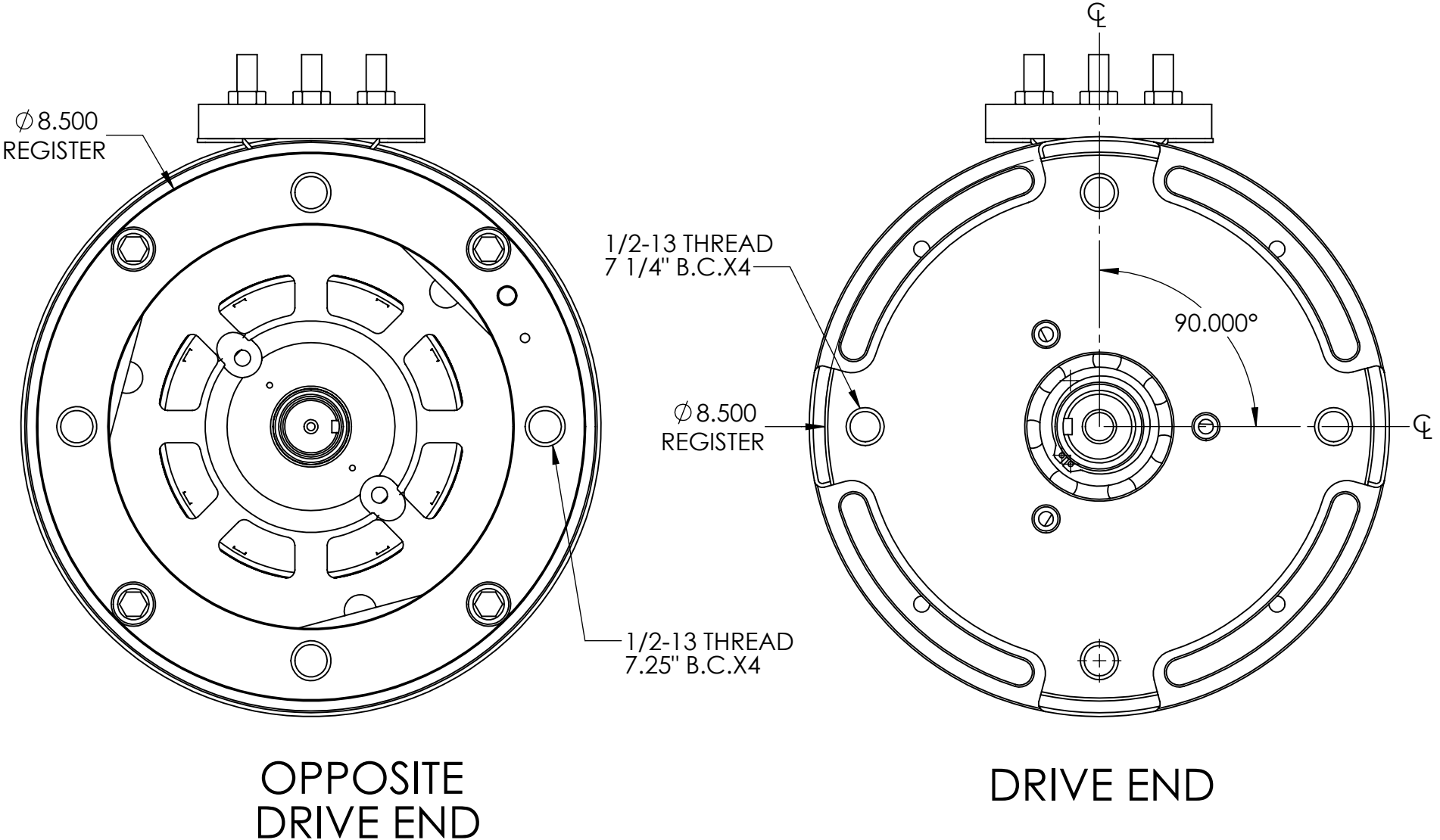


AC50/51-28.26



OPPOSITE
DRIVE END

DRIVE END