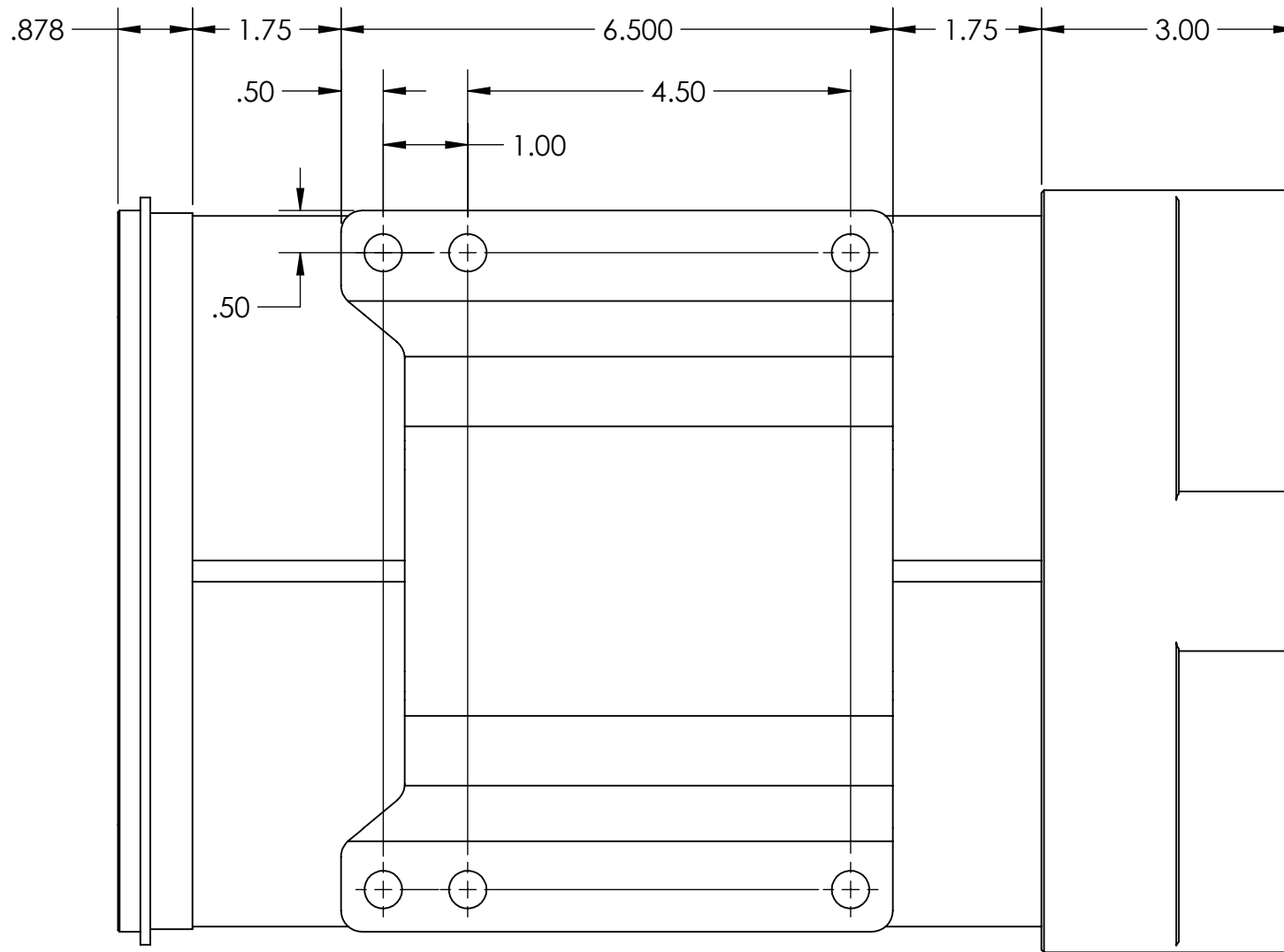


# AC34/35-31.08 & AC34/35-31.09



**BOTTOM VIEW**  
(MOUNTING LAYOUT)