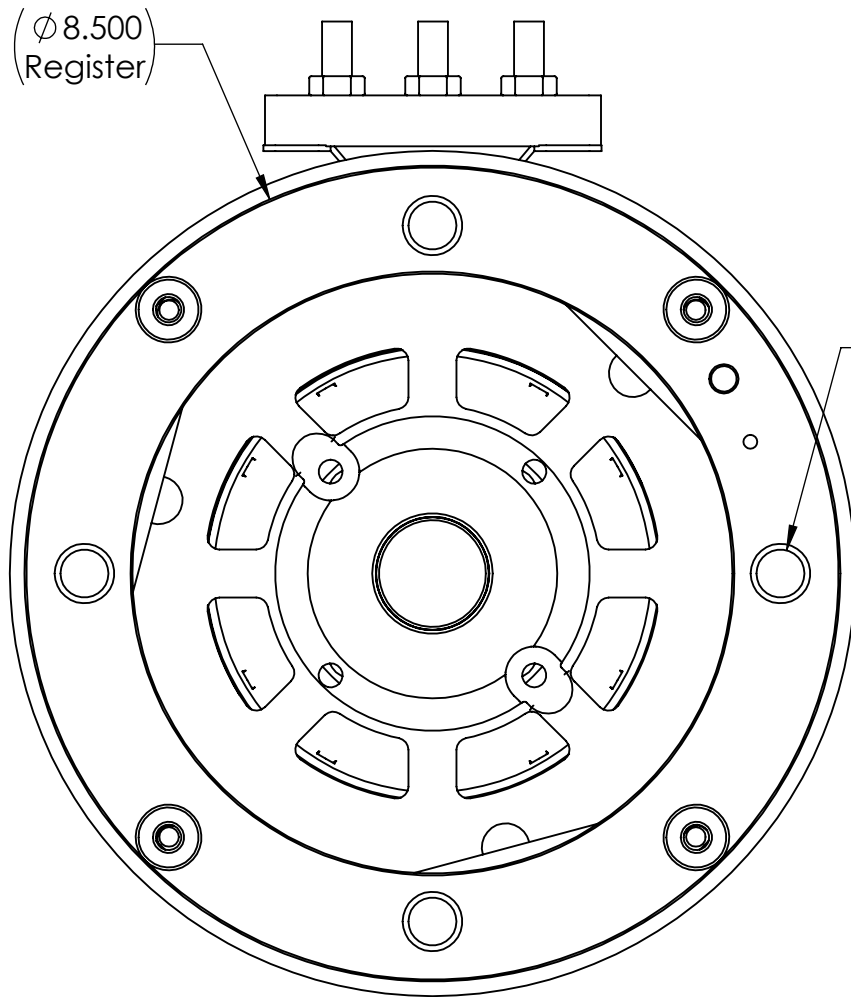
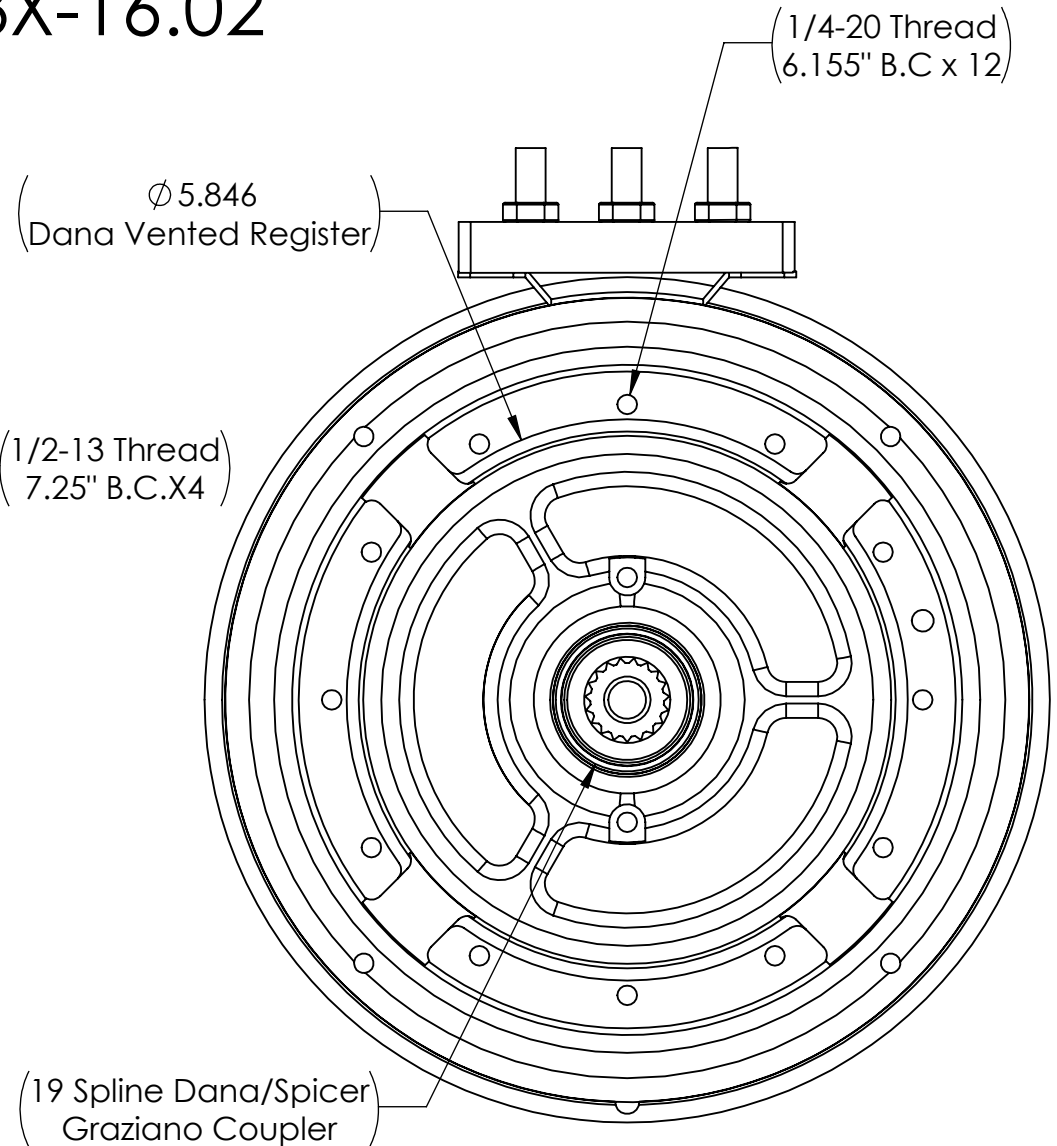


AC3X-16.02



ENCODER END



DRIVE END

AC3x-16.02 Encoder Cables

1 = Original Style With Molex Connector, Enc-002

2 = Original Miles Style With 6 Pin Duetsch Dt Series Connector, AC31-Encoder Cable

3 = Most Recent Sensor Bearing Style With 4 Pin Duetsch DTM Series & 2 Pin Duetsch DTM Series Connectors