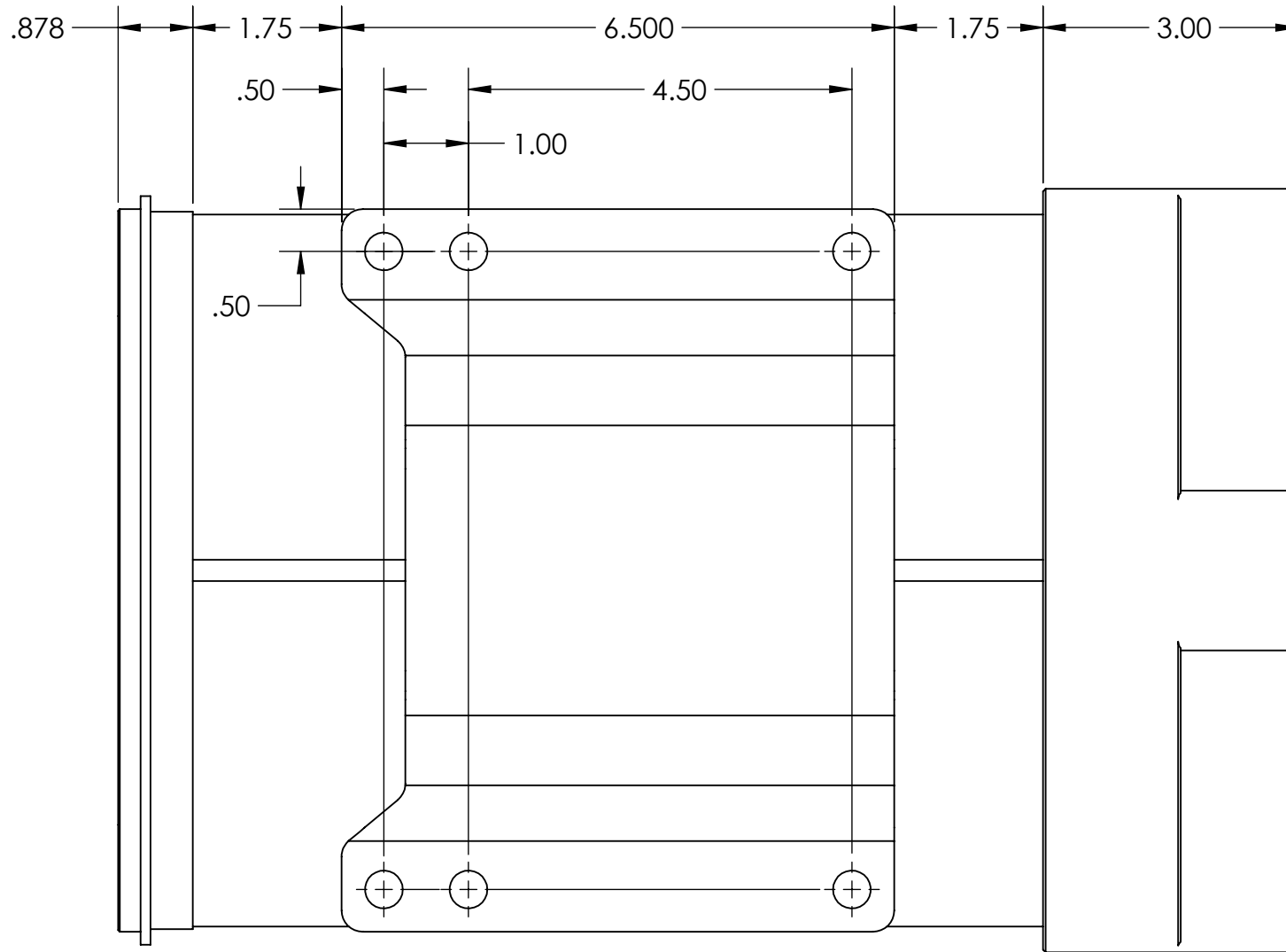


AC3X-31.08/AC3X31.09



BOTTOM VIEW
(MOUNTING LAYOUT)