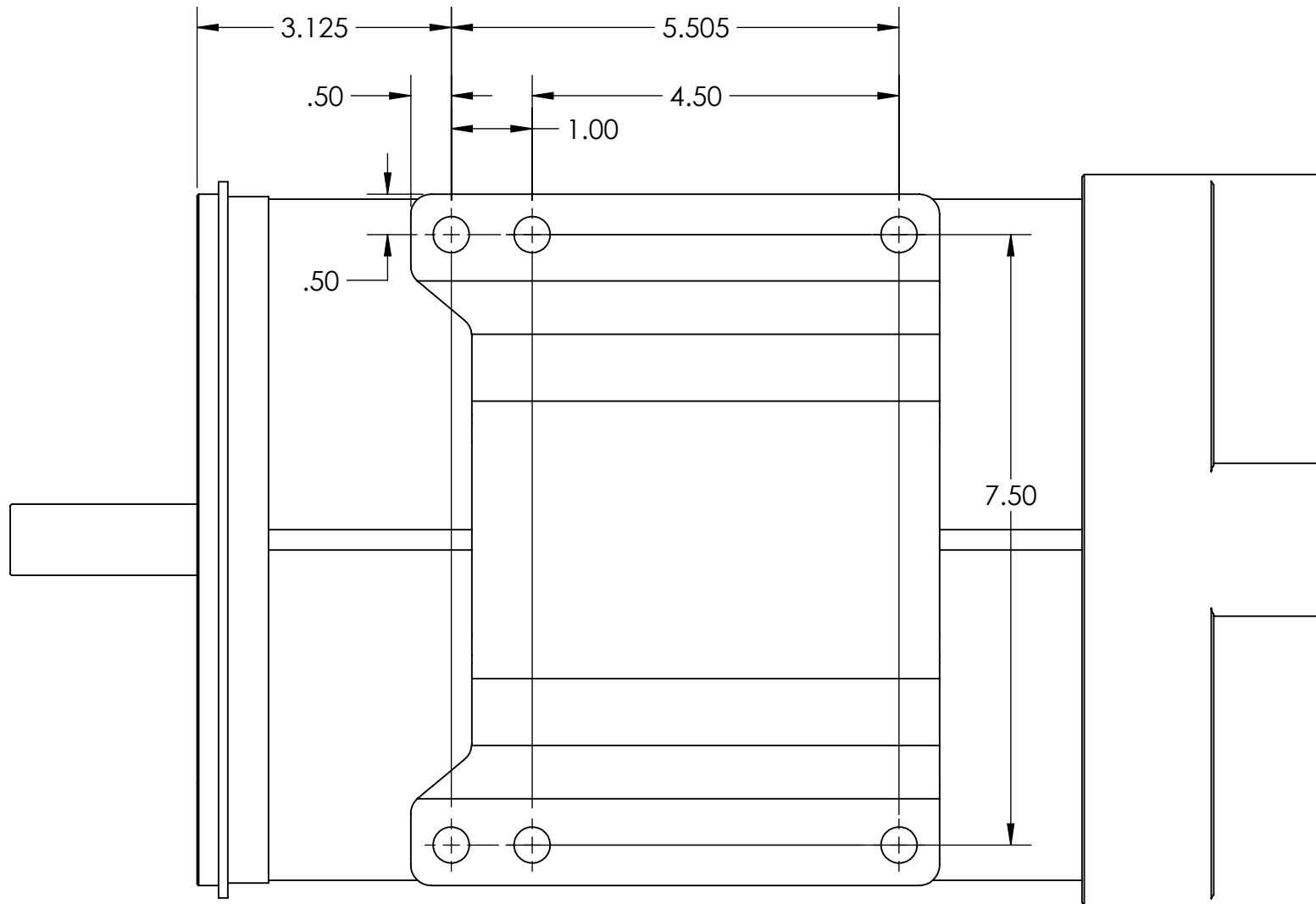


AC34/35-31.58 & AC34/35-31.59



BOTTOM VIEW
(MOUNTING LAYOUT)