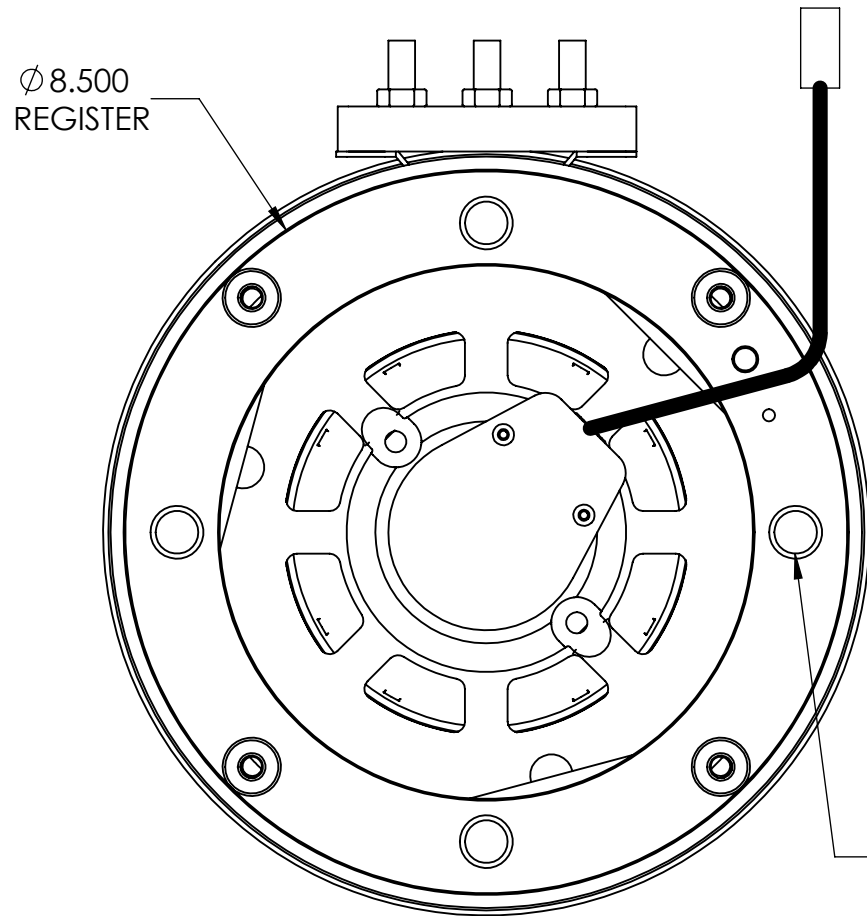
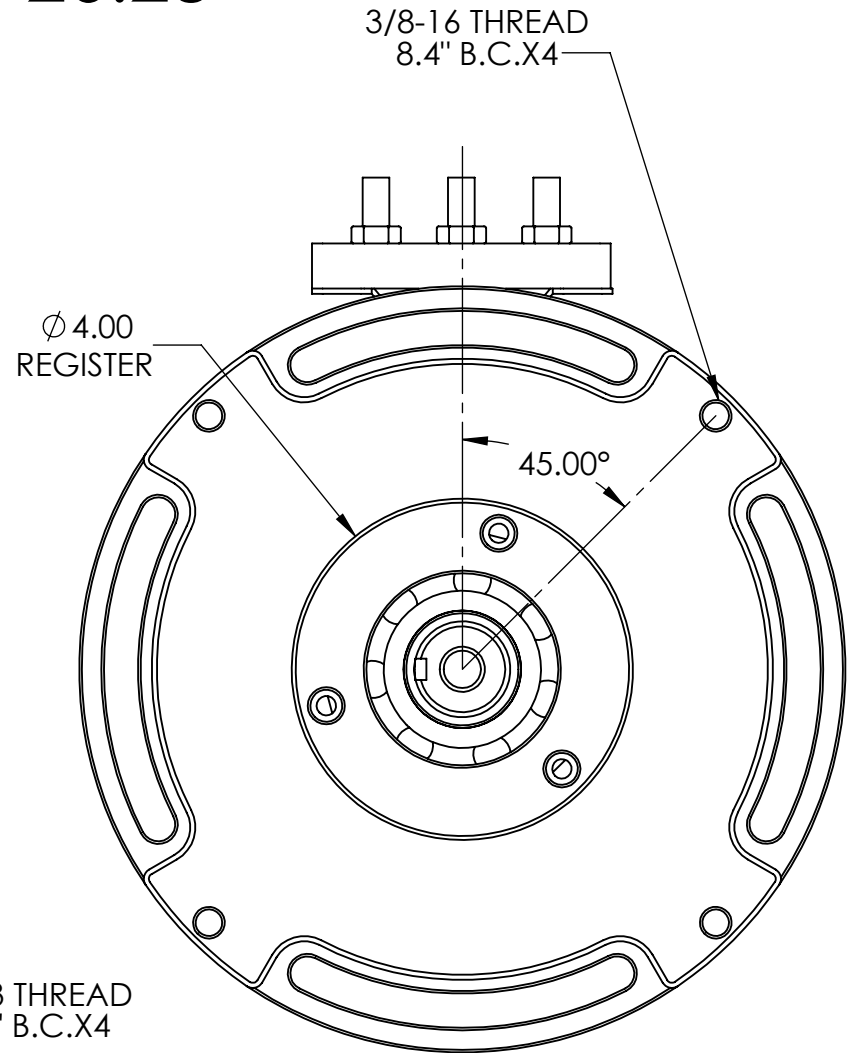


# AC50-26.28



ENCODER END



DRIVE END