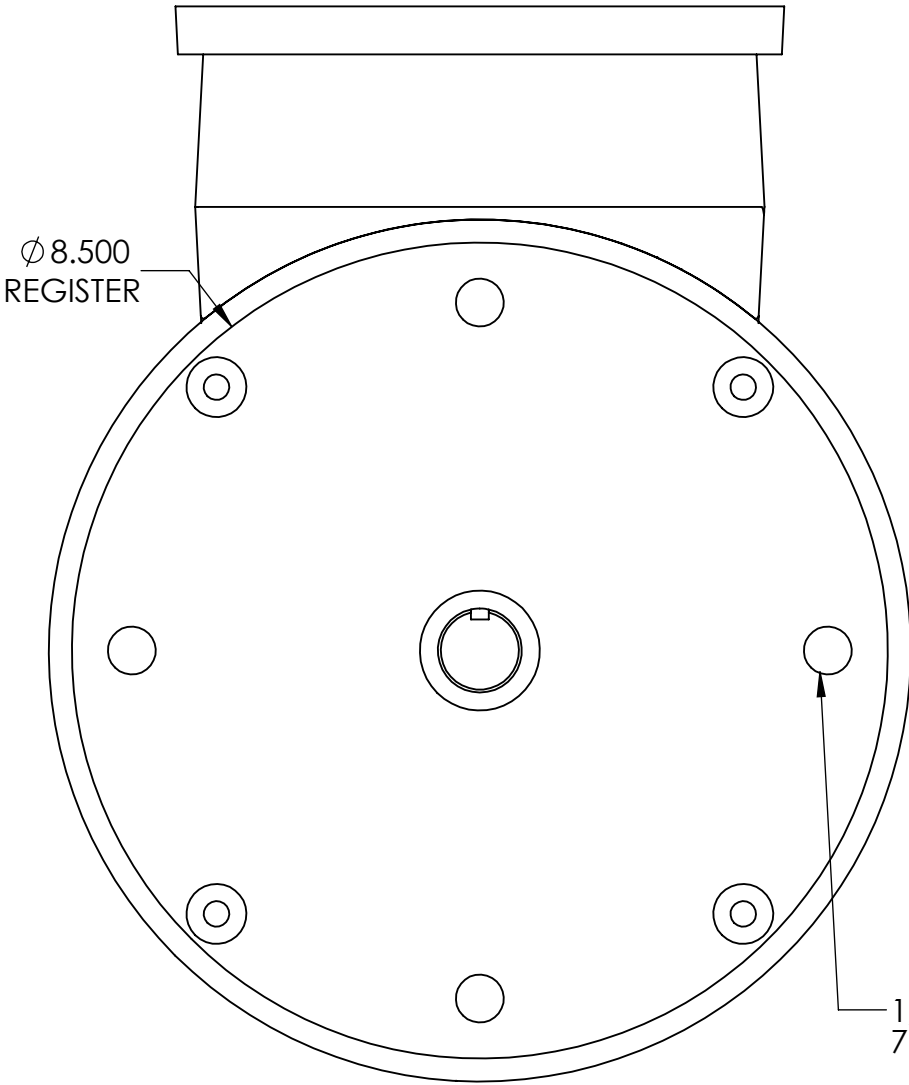


AC3X-33.26



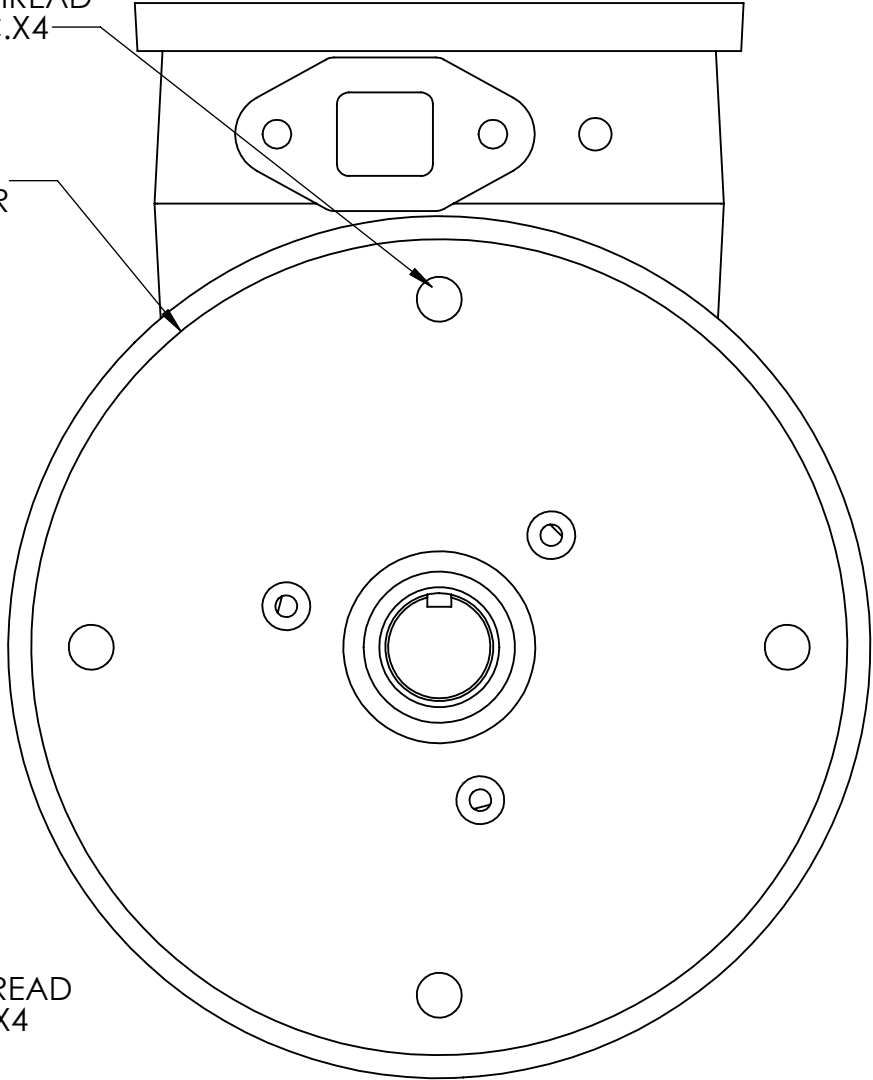
$\phi 8.500$
REGISTER

$1/2-13$ THREAD
 $7.25''$ B.C.X4

$\phi 8.500$
REGISTER

$1/2-13$ THREAD
 $7.25''$ B.C.X4

OPPOSITE
DRIVE END



DRIVE END