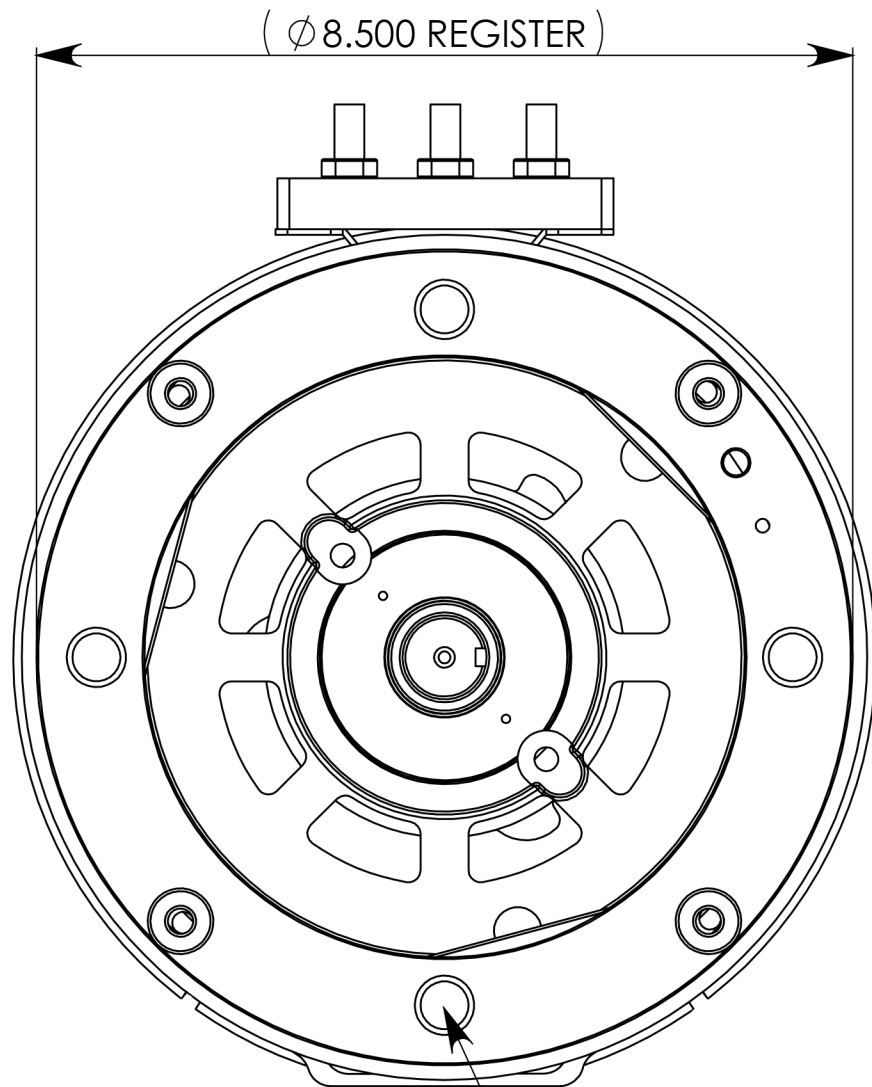


# AC3X-31.70/AC3X-31.71



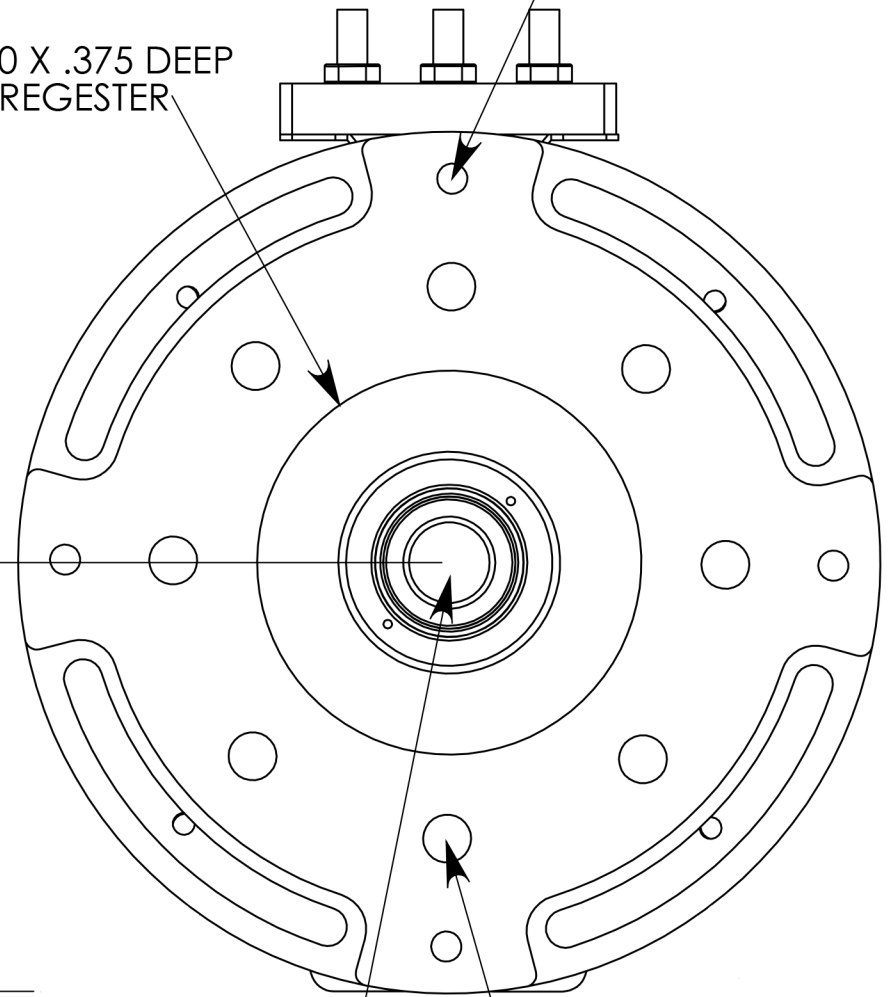
1/2-13 THREAD  
7.25" B.C. X 4

**AUX. END**

( $\varnothing$  4.5)

$\varnothing$  4.0 X .375 DEEP  
REGISTER

M10-1.5 THREAD  
8" B.C X 4



1/2-13 THREAD  
5.75" B.C. X 8

70=15 tooth with auxiliary shaft and no base  
71=13 tooth with auxiliary shaft and no base

**DRIVE END**